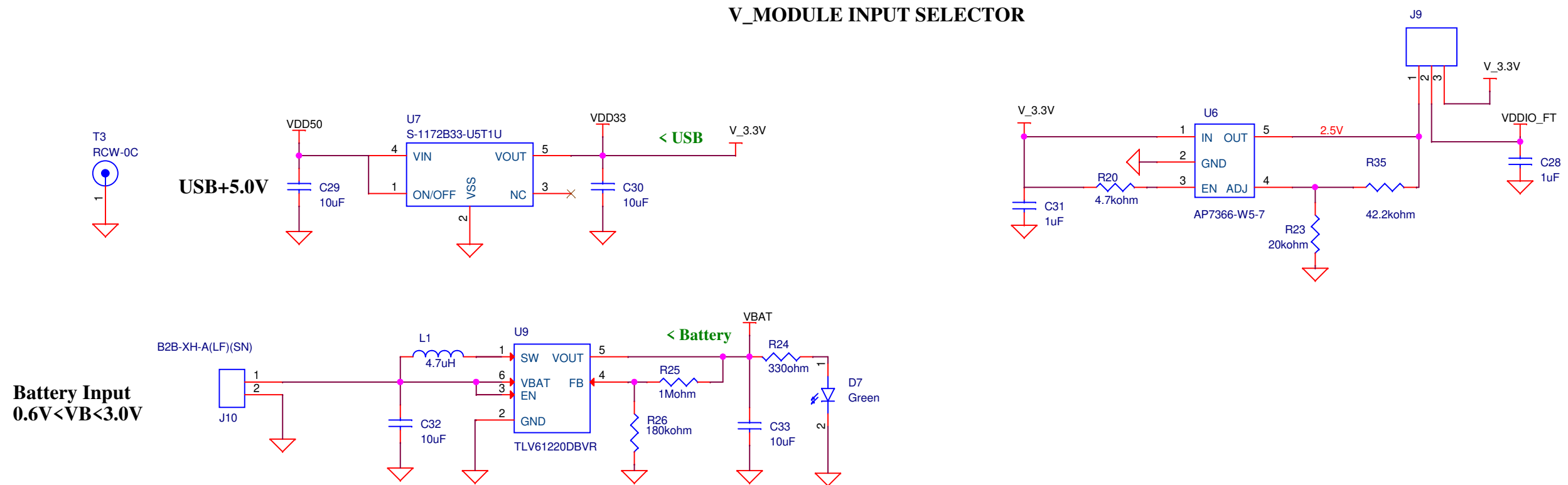
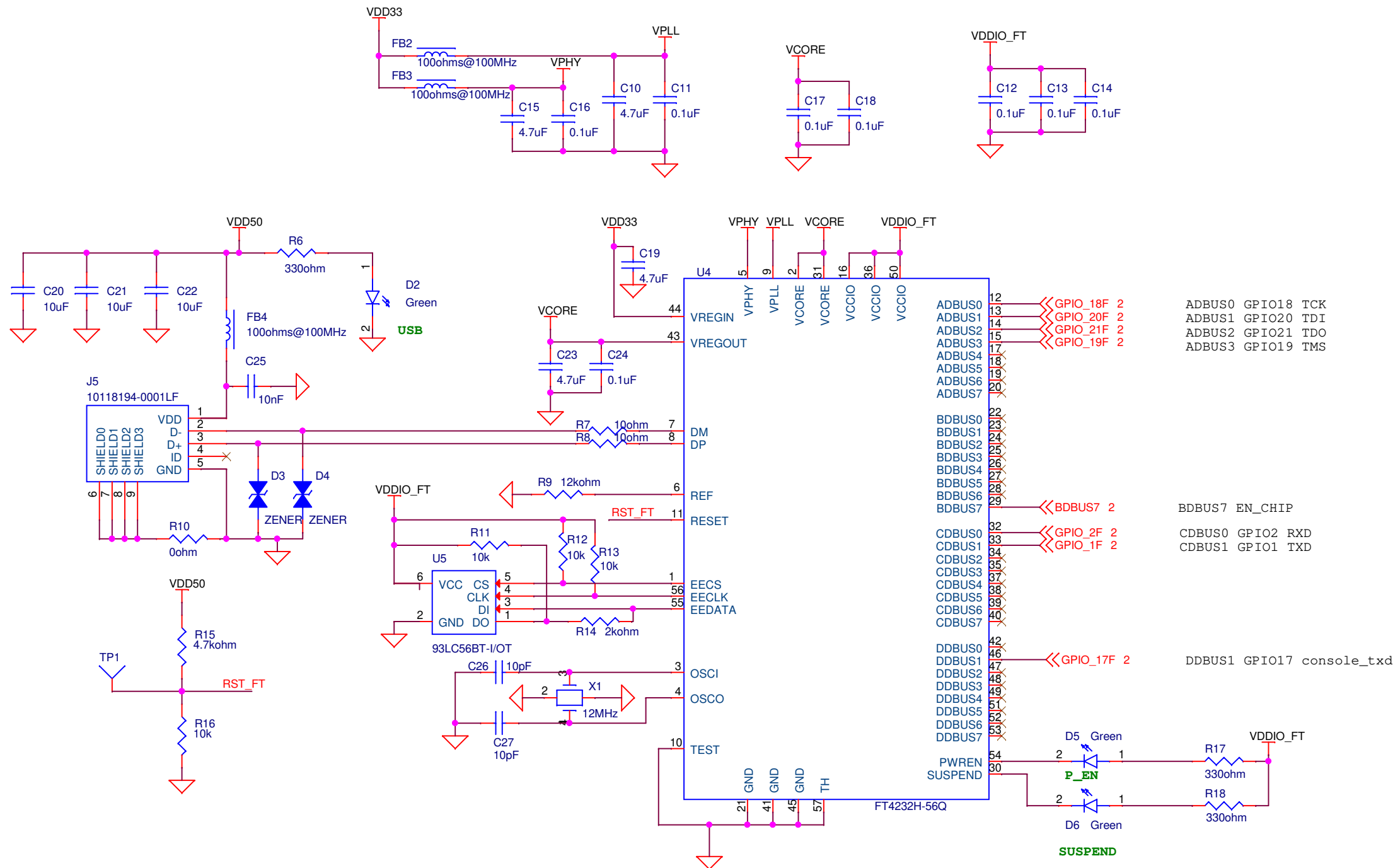


Title		
<b>INP3001 EVB-A REV 1.3</b>		
Size	Document Number	Rev
B	INP3001 EVB-A REV1.3	1.3
Date:	Thursday, October 27, 2022	Sheet 2 of 6

3.3V sources      **MAX4761ETX+**  
INA LOW --- NC(FT) ON


### V\_MODULE INPUT SELECTOR





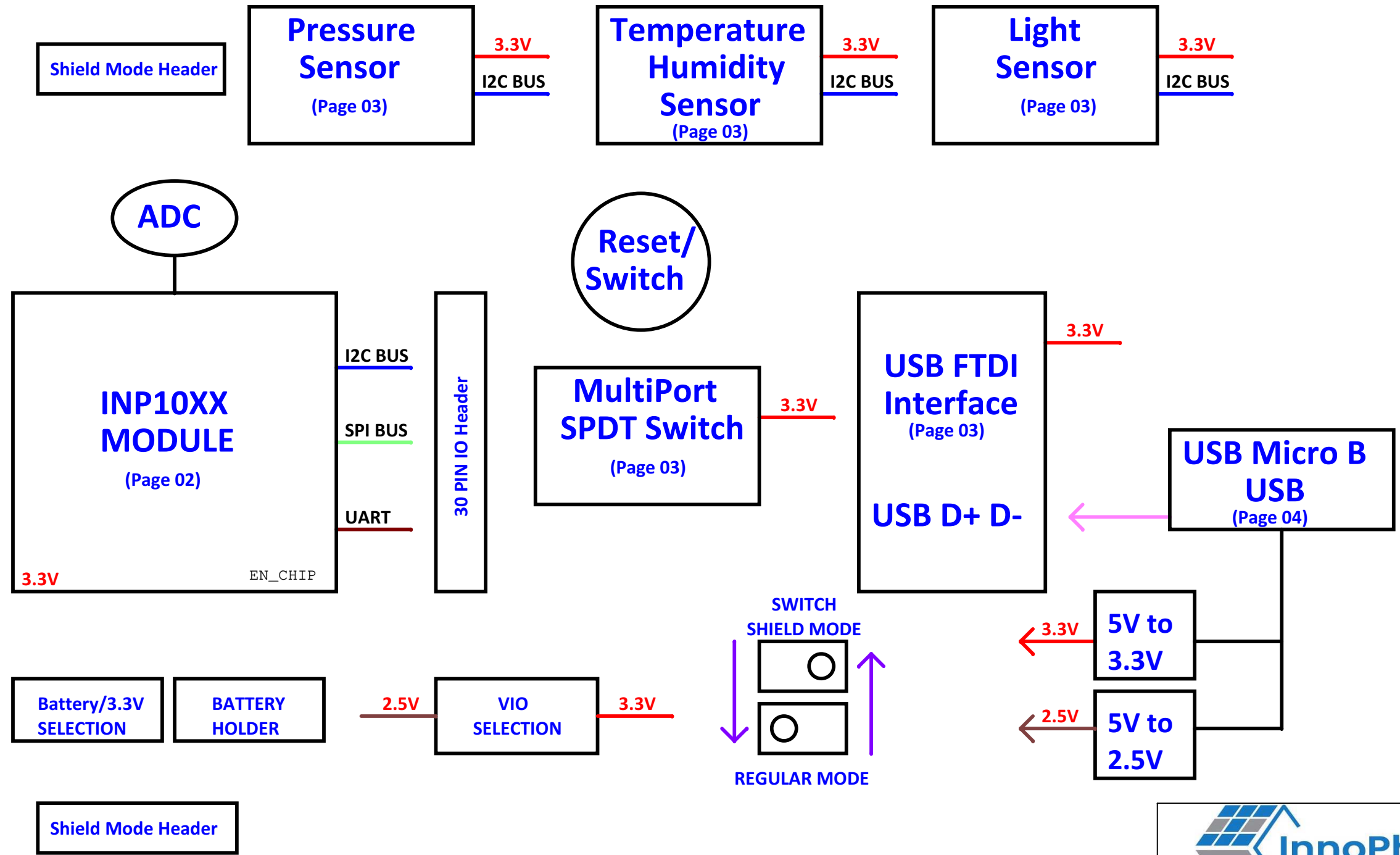
- ADBUS0 GPIO18 TCK
- ADBUS1 GPIO20 TDI
- ADBUS2 GPIO21 TDO
- ADBUS3 GPIO19 TMS
- BDBUS7 EN\_CHIP
- CDBUS0 GPIO2 RXD
- CDBUS1 GPIO1 TXD
- DDBUS1 GPIO17 console\_txd

**USB TO GPIO INTERFACE**



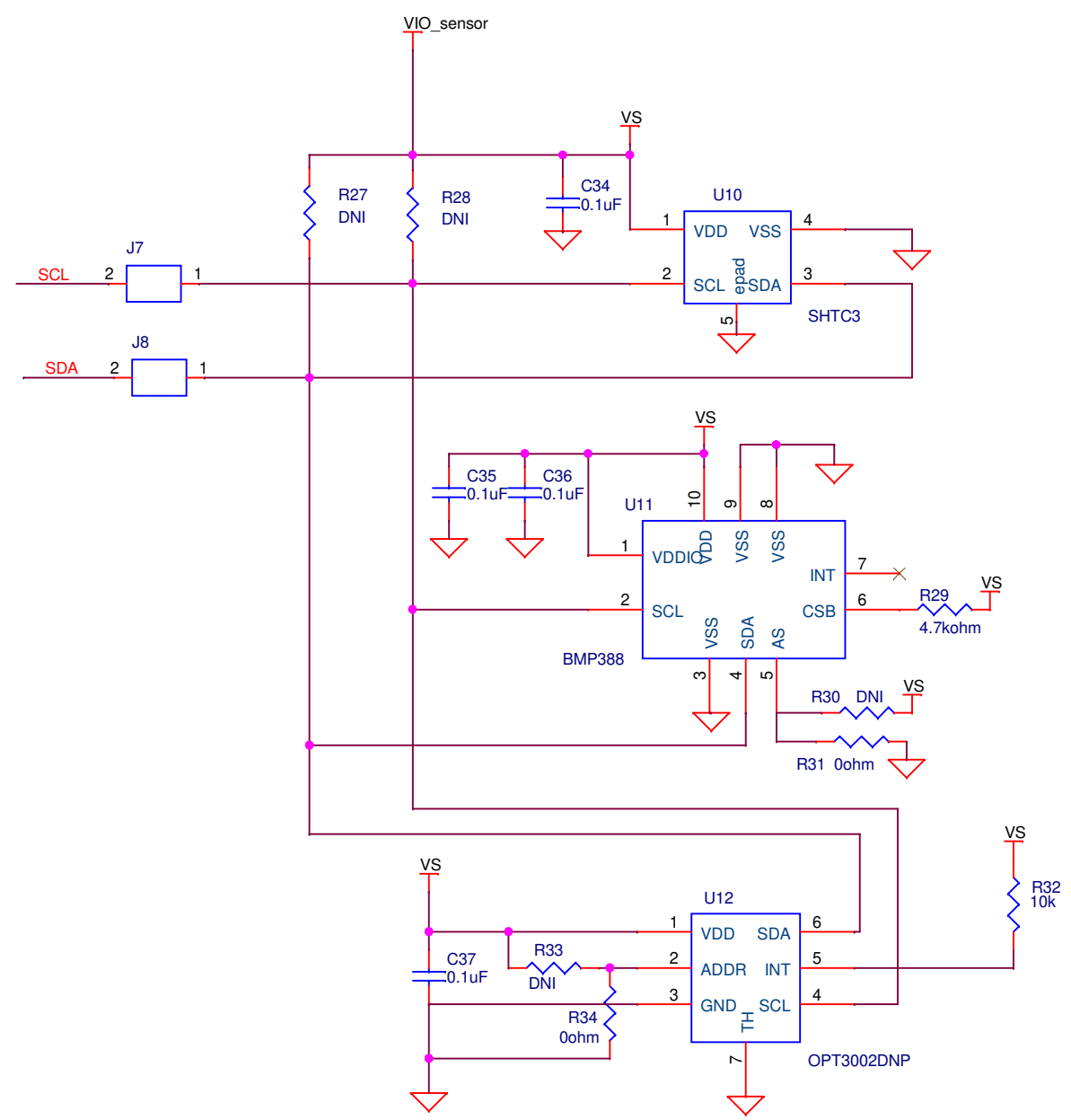
Title		
<b>INP3001 EVB-A REV 1.3</b>		
Size	Document Number	Rev
B	INP3001 EVB-A REV1.3	1.3
Date:	Thursday, October 27, 2022	Sheet 5 of 6

# INP3001 REV 1.3 EVB-A BOARD



Title		
INP3001 EVB-A REV 1.3		
Size B	Document Number	Rev
	INP3001 EVB-A REV1.3	1.3
Date:	Thursday, October 27, 2022	Sheet 1 of 6

SCL << SCL 2  
SDA << SDA 2



TEMPERATURE  
HUMIDITY

PRESSURE

LIGHT

Part Number	I2C address
SHTC3	0x70
BMP388	0x76
OPT3002DNP	0x44


Sensor



Title		
<b>INP3001 EVB-A REV 1.3</b>		
Size B	Document Number	Rev 1.3
	INP3001 EVB-A REV1.3	
Date:	Thursday, October 27, 2022	Sheet 4 of 6

**Revision history:**

<b>Revision</b>	<b>Date</b>	<b>Description</b>
rev 01	3/5/2020	first official release



**INP3001 EVB-A REV 1.3**

<b>Size</b> B	<b>Document Number</b> INP3001 EVB-A REV1.3	<b>Rev</b> 1.3
<b>Date:</b> Thursday, October 27, 2022		
<b>Sheet</b> 6 <b>of</b> 6		